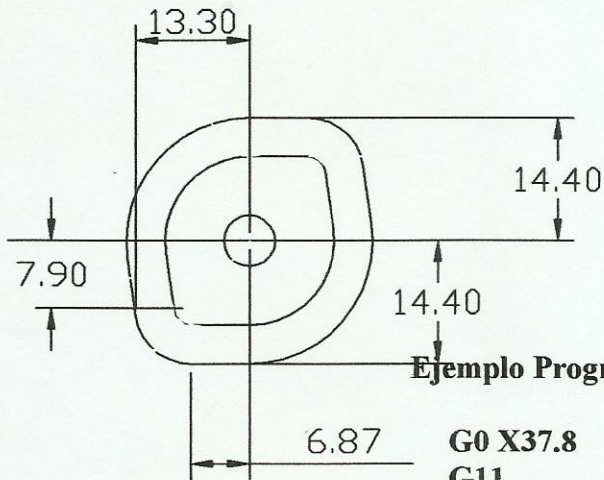
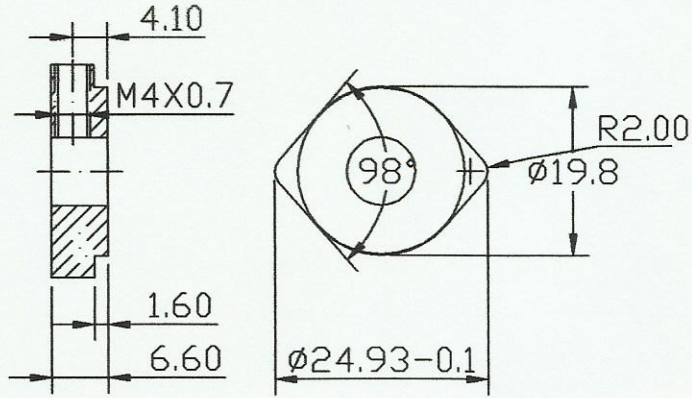


REFERENCIA AP01036



DIAMETRO FRESA 2  
LABIOS  $\phi 9$

**Ejemplo Programa TRAUB TND350G POLYFORM**

```

G0 X37.8
G11
G17
G1 X18.9 Y 14.4 P0 A0 F800
G1 X9.67 F600
G1 X0.0 Y14.40 F225
G3 X-14.26 Y-2.01 P0 A0
G1 X-13.3 Y-8.81
G3 X-6.87 Y-14.40 P-6.87 A-7.90
G1 X0.0 Y14.40
G3 X14.26 Y2.01 P0 A0
G1 X13.30 Y8.81
G3 X6.87 Y14.40 A7.90 P6.87
G1 X3.44
G1 Y17.75
G10
G0X45
    
```